

# LED Flood Light Specifications



**Product Name:** LED Flood Light

**Product Model:** FL01-XXW

**Release Date:** 2016-12-30

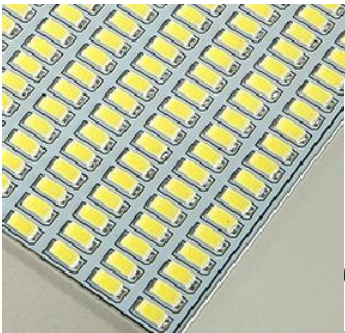
**Edition NO.:** V1.0

## 1.General introduction

### Product features:

1. High light 5630&3030 SMD LED ,with golden beads, luminous up to 120lm/w, high refractive lens.
2. Die casting aluminum heat dissipation , explosion proof toughened glass.
3. IP65 Waterproof complete light. Waterproof, anti-thunder and anti-misconnection .
4. Wide range input 85-277vac,IP67 driver PF>0.95 , long lifespan:50000hrs.

### Product photo show



### Application scenarios

Square、building、park、station、airport、lawn、marketplace、playground、tennis courts、golf course、basketball court、 football court、 tunnel etc.

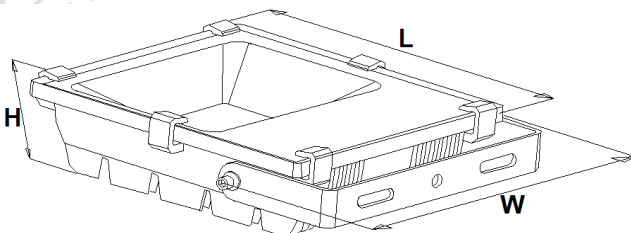


## 2.Product technical parameters

Classify	Item	Model	FL-S30W	FL-S50W	FL-S100W
structure	Product material		AL+GLASS	AL+GLASS	AL+GLASS
	Protection class		IP65	IP65	IP65
	Product Weight		1.5kg	2.2kg	3.2kg
	Product size(mm)		200*165*50	265*220*50	320*280*60
Electric power source	Input Voltage		AC85-265V	AC85-265V	AC85-265V
	Power Consumption		30W	50W	100W
	Power efficiency		88%	88%	90%
	Power Factor		0.95	0.95	0.95
	Operating Frequency		50/60Hz		
	Power protection features		With over-temperature, over-current, overload protection function		
LED optical	LED Type		SMD 5630&3030		
	CRI		Ra>70		
	CCT		3000/5000/6000K		
	Optional Beam Angle		120°		
	Luminous efficiency		>90-120lm/W @6000K		
Operating temperature			-20°C~+55°C		
Operating humidity			10%~90%		
Storage temperature			-20°C~80°C		
Lamp life			30000Hrs		
Warranty			3 years		
Lamp Type			<input checked="" type="checkbox"/> class I <input type="checkbox"/> class II <input type="checkbox"/> class III		
Certification			CE & RHOS		

Table1 technical parameter

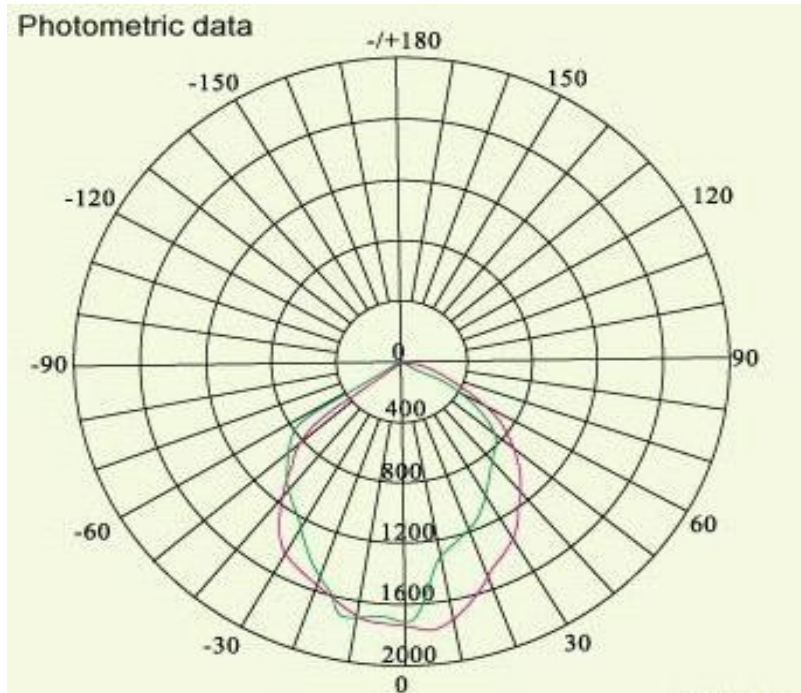
### Outline Dimensions (Unit: mm )



Model	L	W	H
FL01-30W	200	165	50
FL01-50W	260	220	50
FL01-100W	320	280	60

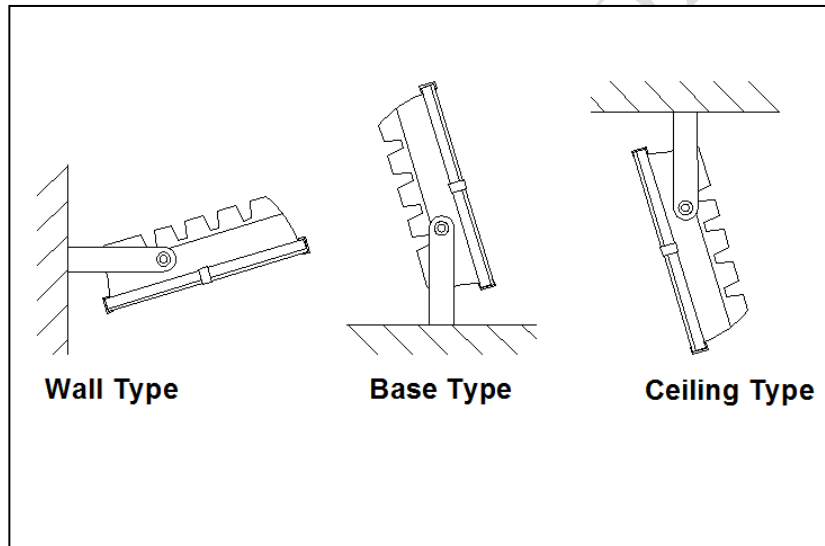
## LED light photics diagram

For example :50W



## Installation and Operation

### Installation



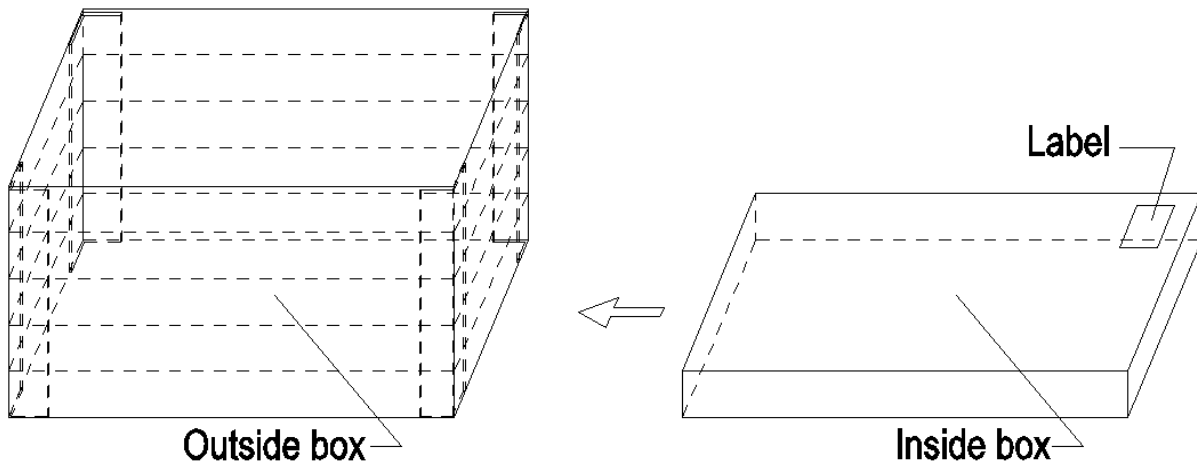
### Steps:

Install on the wall(&base &ceiling) with the screw.

### Operation indication:

1. Check product items as checklist
2. Power off light
3. install floodlight
4. Power on light

## Packing



Packing details in box

SN	item	qty	remark
1	Flood light	1	
2	Installation kit	1	
3	Remoter		

## Shipment Size information

Item	Size / Carton	G.W. / Carton
FL01-30W	67*24.5*40 cm/ctn	10PCS/CTN-18.0KGS
FL01-50W	64*30*50 cm/ctn	10PCS/CTN-23.0KGS
FL01-100W	43*30.5*40 cm/ctn	5PCS/CTN-19.0KGS

## Attention

1. In order to ensure proper operation, make sure that the voltage must be in indicated range
2. Follow the correct way to install and operate the product before installing or removing , need to power off to prevent electric shock
3. This product is waterproof(IP65), indoor and outdoor use , and in the high humidity, or dusty environments
4. Product is not working in the frequent power-off state, it will affect the life of the light
5. Do not look directly into the LED light source, long, high-intensity light source may cause eye injury
6. No user dismantle, replace the device