

LED Panel Light Specifications



Product Name: LED Panel Light

Product Model: PL1206-GXXW

Release Date: 2016-12-30

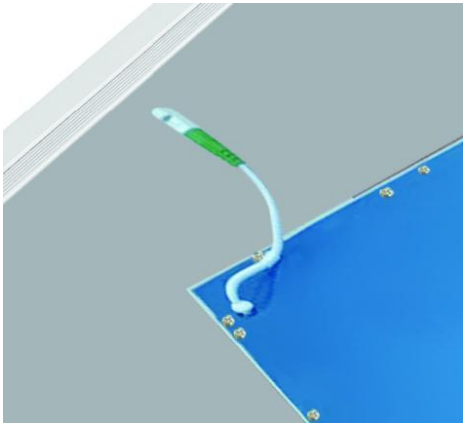
Edition NO.: V1.0

1.General introduction

Product features:

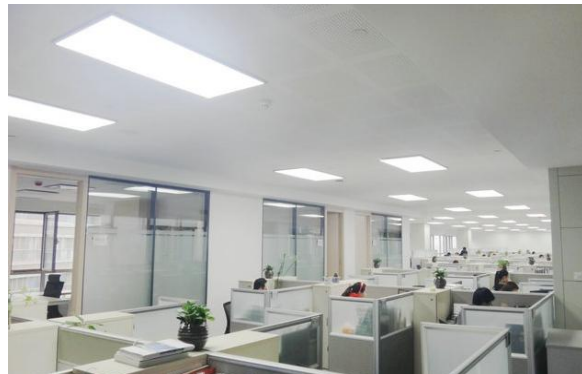
- 1 : Edge-lit, led lighting technology , pleasant to eyes ,SMD2835 LED,>80% energy saving, light intensity angle>120,Luminous up to 120lm/watts , no dark space ,low luminance decrease .
- 2: 6063 aluminum frame ,PMMA LGP ,PS diffuser, thickness :9mm , light-proof .
- 3: Widely input voltage 85-277vac, power factory >0.95 ,lifespan >50000hrs.
- 4 : Suspending ,embedded ,mounted and surface installation way.

Product photo show



Application scenarios

1. Hotels, offices ,conference / meeting rooms ,shopping mall or supermarket, residential / institution buildings ,school, college & universities , hospitals and other lighting place....

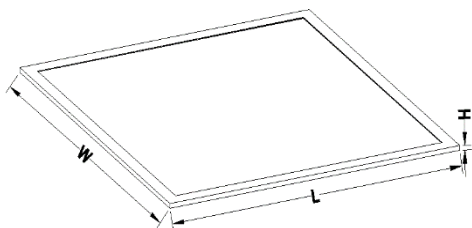


2.Product technical parameters

Classify	Model	PL1206-G60W	PL1206-G65W	PL12036-G72W	PL1206-G80W
	Item				
structure	Product material	AL+PMMA+PS	AL+PMMA+PS	AL+PMMA+PS	AL+PMMA+PS
	Protection class	IP20	IP20	IP20	IP20
	Product Weight	6.0Kg	6.0Kg	6.0Kg	6.0Kg
	Product size	1195×595×9mm	1195×595×9mm	1195×595×9mm	1195×595×9mm
Electric power source	Input Voltage	AC85-277V	AC85-277V	AC85-277V	AC85-277V
	Power Consumption	60W	65W	72W	80W
	Power efficiency	88%	89%	89%	89%
	Power Factor	0.95	0.95	0.95	0.95
	Operating Frequency	50/60HZ	50/60HZ	50/60HZ	50/60HZ
	Power protection features	With over-temperature, over-current, overload protection function			
LED optical	LED Type	SMD 2835	SMD 2835	SMD 2835	SMD 2835
	CRI	Ra>80	Ra>80	Ra>80	Ra>80
	CCT	3000/4000/6000K			
	Luminous efficiency	>100lm/W@6000K			
Operating temperature		-20°C~+55°C			
Operating humidity		10%~90%			
Storage temperature		-20°C~80°C			
Lamp life		40000Hrs			
Warranty		3 years			
Lamp Type		<input type="checkbox"/> class I <input type="checkbox"/> class II <input checked="" type="checkbox"/> class III			
Certification		CE & RHOS			

Table1 technical parameter

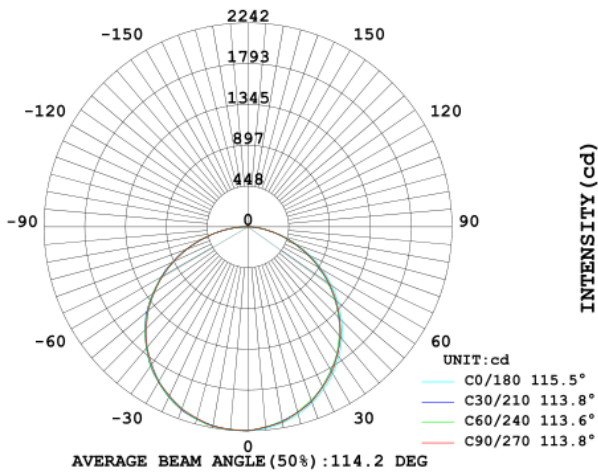
Outline Dimensions (Unit: mm)



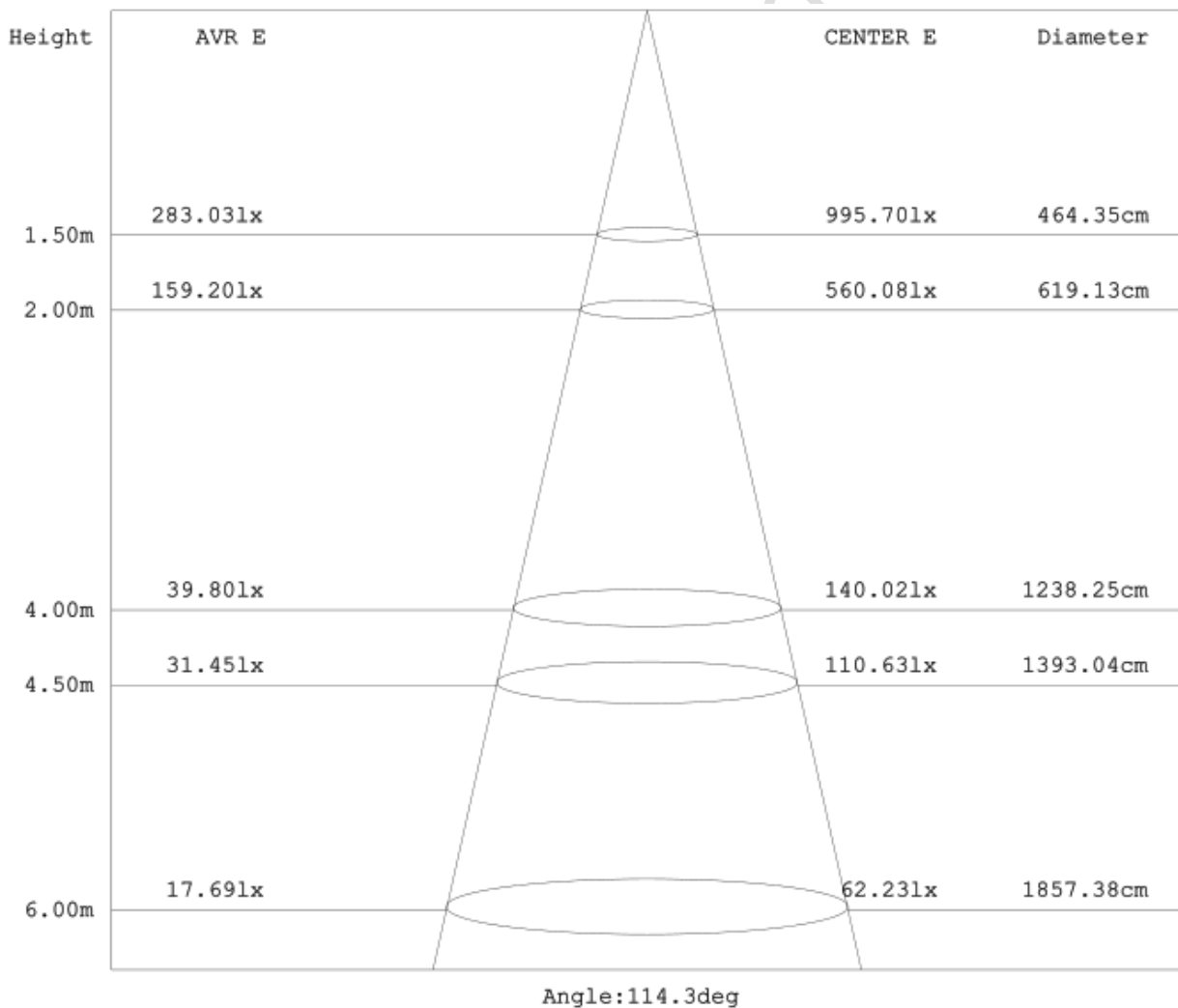
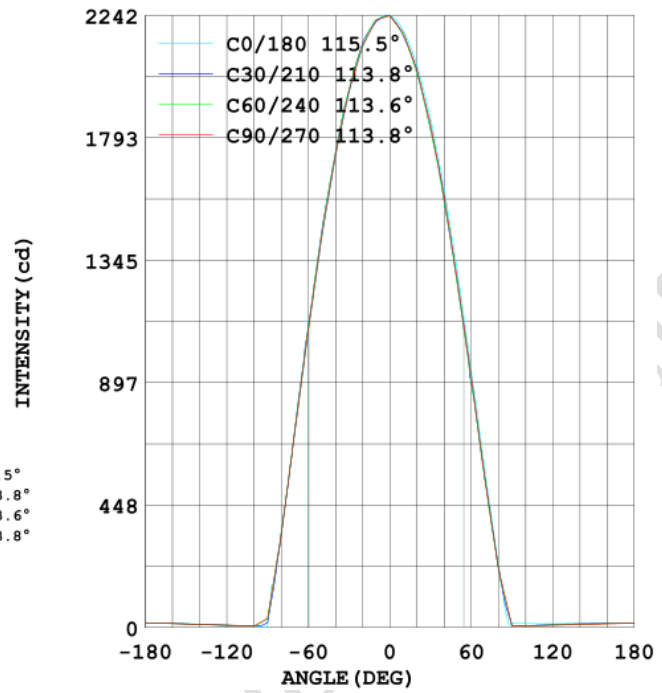
Model	L	W	H
PL1206-G60W	1195	595	9
PL1206-G65W	1195	595	9
PL1206-G72W	1195	595	9
PL1206-G80W	1195	595	9

LED light photics diagram

LUMINOUS INTENSITY DISTRIBUTION

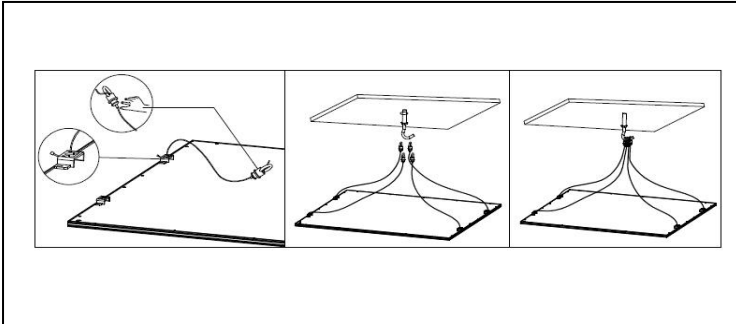


LUMINOUS INTENSITY DISTRIBUTION



Installation

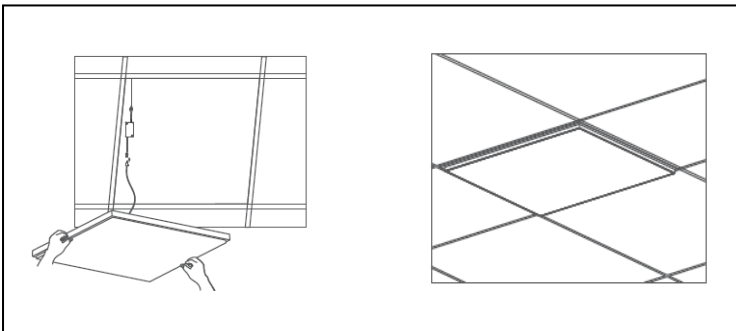
✧ Suspended type is optional



Steps:

1. Fixed one end of the stainless steel onto the ceiling with anchor bolt.
2. Fixed the other end of stainless steel into the back cover of LED panel light;

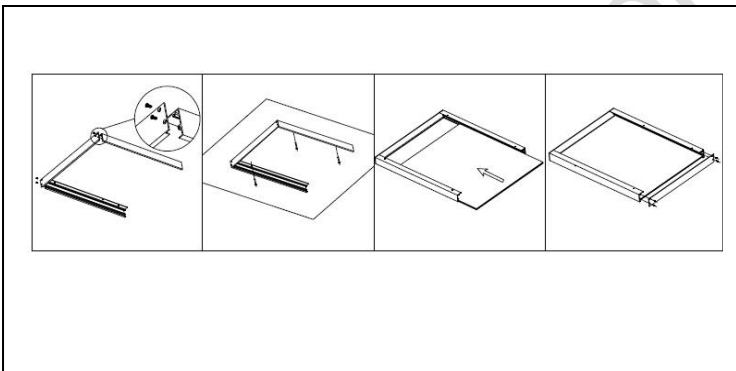
✧ Recessed or Spring is optional



Steps:

1. Take off the false ceiling panel, put in the panel from diagonal
2. Fix the panel at the right place

✧ Surface mounted is optional

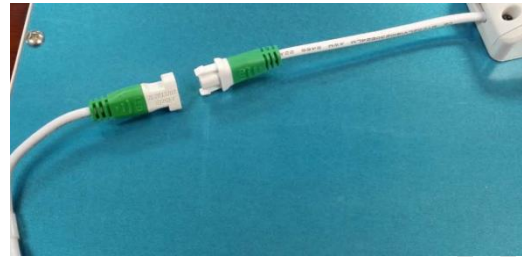
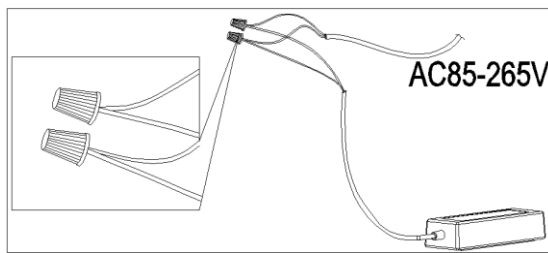


Steps:

1. Fix the surface box ,and then fix to the ceiling.
2. put the led panel light into the surface box .
- 3.fix the last box line.

Operation

Connection schematic drawing

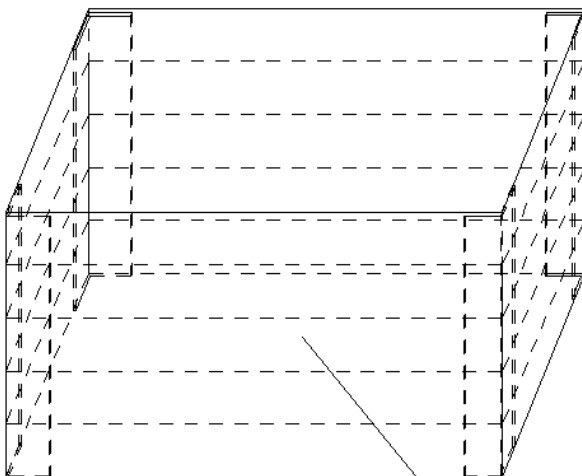


Operation indication:

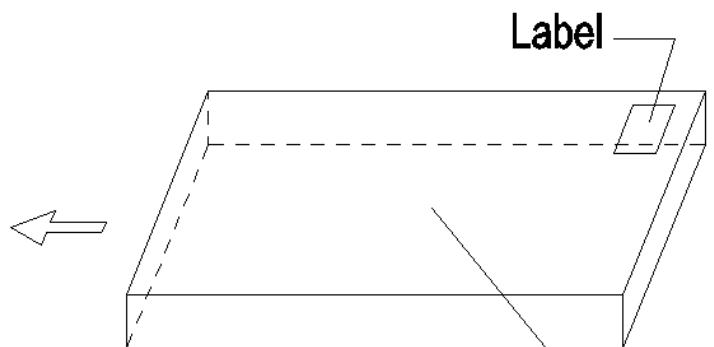
1. Check product items as checklist
2. Power off light
3. install panel light, and clear room
4. Power on light

Packing

One panel in an Inner box, one master carton contain 2 inner boxes



Outside box



Inside box

Packing details in box

SN	item	qty	remark
1	Led panel light	1	
2	driver	1	
3	Fixture accessories	0-4	optional
4	Remoter		optional

Shipment Size information

Item	Size/Inner Box	Size/Outer Carton	G.W./Outer Carton
PL0303-GXXW	345*310*32mm	67*36*34cm/ctn	20PCS/CTN-24.0KGS
PL0603-GXXW	650*310*32mm	67*34*34cm/ctn	10PCS/CTN-18.5KGS
PL0606-GXXW	675*640*44mm	69.5*66.5*24.5cm/ctn	5PCS/CTN-19.0KGS
PL1203-GXXW	1300*310*44mm	133.5*36.5*24.5cm/ctn	5PCS/CTN-20.8KGS
PL1206-GXXW	1310*640*55mm	132.5*65.5*13m/ctn	2PCS/CTN-19.5KGS

Attention

1. In order to ensure proper operation, make sure that the voltage must be in indicated range
2. Follow the correct way to install and operate the product before installing or removing , need to power off to prevent electric shock
3. This product is not waterproof, indoor use only, and not in the high humidity, or dusty environments
4. Product is not working in the frequent power-off state, it will affect the life of the light
5. Do not look directly into the LED light source, long, high-intensity light source may cause eye injury
6. No user dismantle, replace the device